

# Dreiphasen Sinusfilter

## Baureihe UAF

- **Sinusfilter** nach: DIN EN 61558-2-20, VDE 0570 Teil 2-20
- Optional mit UL-zertifiziertem Isoliersystem der Klasse 155(F)
- Motorfrequenz bis 60Hz
- Minimale Taktfrequenz 4kHz
- Resonanzfrequenz 2kHz
- $U_N = 400V$
- Ströme und Induktivitäten gemäß Tabelle S. 2
- Schutzart IP 00
- Optional im Gehäuse lieferbar
- Fußwinkel zur Befestigung
- Berührungsgeschützte Klemmen nach DGUV V3
- Schutzklasse I

Sinusfilter für höhere Frequenzen, abweichende Spannungen, Kurzschlussspannungen und Taktfrequenzen fertigen wir auf Kundenwunsch gerne an.

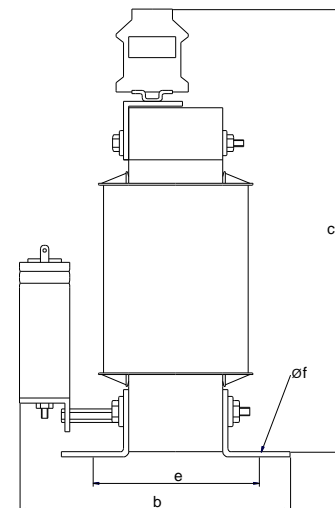
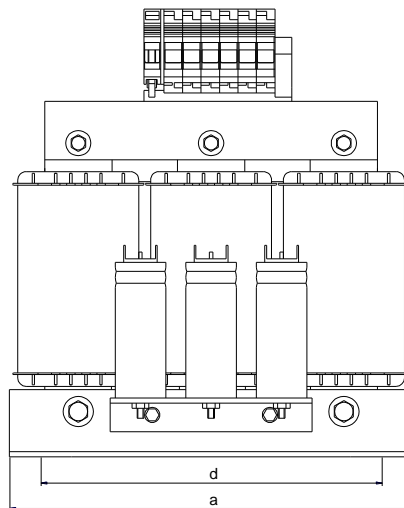
# Three-phase Sinusoidal filter

## Series UAF

**Sinusoidal filter** according to: DIN EN 61558-2-20, VDE 0570 part 2-20

- *Optionally equipped with UL certified insulation class 155 (F)*
- *Motor frequency up to 60Hz*
- *Minimum clock frequency 4kHz*
- *Resonance frequency 2kHz*
- *$U_N = 400V$*
- *currents and inductances according to table p. 2*
- *Degree of protection IP 00*
- *Housing on request*
- *Foot angle for attachment*
- *Touch-protected terminals according to DGUV V3*
- *Protection class I*

*Sinusoidal filters for higher frequencies, deviating voltages, short-circuit voltages and clock frequencies are available on customer request*



Transformatoren Technik **Jahns Müller GmbH**

Boschstraße 15  
D-71404 Korb

Tel: +49 7151 93907-0  
Fax: +49 7151 93907-90

info@jahnsmueller.de  
www.jahnsmueller.de

| Typ<br>Type | Strom   | Induktivität | bmessungen ca. in mm |     |     |     |      |      | Gewichte ca. |             |
|-------------|---------|--------------|----------------------|-----|-----|-----|------|------|--------------|-------------|
|             | Current | Inductance   | Dimensions           |     |     |     |      |      | Weights      |             |
|             | A       | mH           | a                    | b   | c   | d   | e    | f    | CU<br>kg     | Total<br>kg |
| UAF 2,2-6   | 6       | 12,2         | 155                  | 125 | 160 | 130 | 57   | 6    | 0,5          | 4,0         |
| UAF 4-10    | 10      | 5,00         | 190                  | 140 | 190 | 170 | 57,5 | 8    | 2,0          | 7,0         |
| UAF 5,5-14  | 14      | 4,30         | 190                  | 165 | 190 | 170 | 76   | 8    | 2,6          | 8,0         |
| UAF 7,5-18  | 18      | 3,60         | 190                  | 165 | 190 | 170 | 76   | 8    | 2,9          | 10,0        |
| UAF 11-25   | 25      | 2,50         | 240                  | 180 | 265 | 190 | 85   | 7,8  | 3,2          | 16,0        |
| UAF 15-34   | 34      | 1,90         | 240                  | 181 | 265 | 190 | 95   | 11,0 | 5,18         | 21,0        |
| UAF 22-45   | 45      | 1,65         | 240                  | 205 | 270 | 190 | 119  | 11,0 | 6,5          | 26,0        |
| UAF 30-60   | 60      | 1,20         | 300                  | 240 | 340 | 240 | 120  | 11,0 | 8,6          | 33,0        |
| UAF 37-75   | 75      | 0,90         | 300                  | 240 | 340 | 240 | 120  | 11,0 | 10,3         | 34,0        |
| UAF 45-90   | 90      | 0,80         | 300                  | 255 | 340 | 240 | 133  | 11,0 | 13,0         | 41,0        |
| UAF 55-120  | 120     | 0,65         | 300                  | 265 | 340 | 240 | 160  | 11,0 | 16,0         | 56,0        |
| UAF 75-150  | 150     | 0,50         | 360                  | 270 | 400 | 310 | 145  | 11,0 | 20,0         | 65,0        |
| UAF 90-180  | 180     | 0,45         | 360                  | 280 | 420 | 310 | 155  | 11,0 | 23,0         | 74,0        |
| UAF 110-210 | 210     | 0,41         | 420                  | 245 | 450 | 370 | 151  | 11,0 | 31,2         | 105,0       |
| UAF 132-250 | 250     | 0,34         | 420                  | 280 | 470 | 370 | 181  | 15,0 | 32,0         | 110,0       |
| UAF 160-300 | 300     | 0,29         | 420                  | 280 | 490 | 370 | 181  | 15,0 | 42,0         | 120,0       |
| UAF 200-370 | 370     | 0,25         | 420                  | 370 | 420 | 370 | 181  | 15,0 | 49,0         | 145,0       |
| UAF 315-570 | 570     | 0,16         | 500                  | 370 | 520 | 430 | 220  | 17,0 | 95,0         | 245,0       |

